

CHALET[®] STUDIO

SINGLE-ACTION DOOR HINGE - SELFCLOSING



TECHNICAL DETAILS

- + Selfclosing door hinge
- + Adjustable zero-position
- + No visible screws on the mounting plate
- + For 8 mm laminated safety glass
- + Max door width 959 mm
- + Max door height 2008 mm
- + Max door leaf weight per hinge pair 45 kg
- + Basematerial: highquality brass



CHALET[®] STUDIO

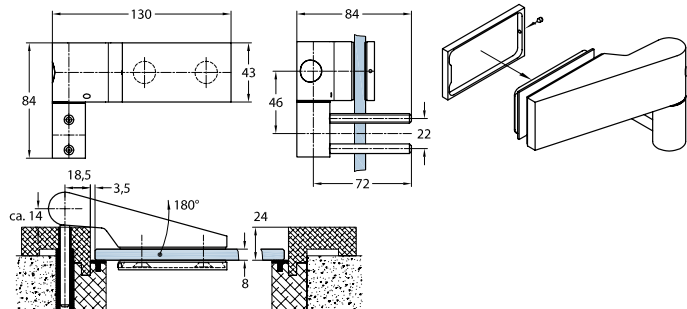
SINGLE-ACTION DOOR HINGE - SELF-CLOSING



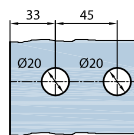
Art. No. 09196

For interior doors, right,
 for wooden frame

available in surfaces
 31 and 55



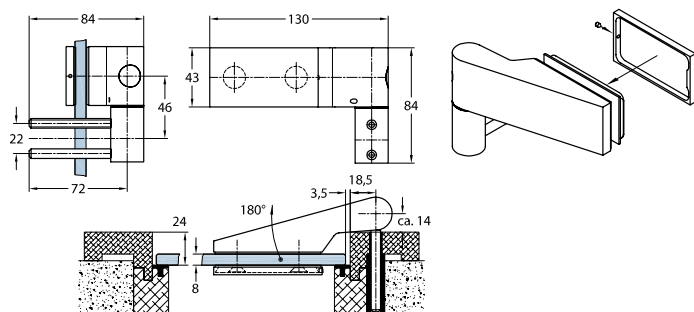
Glasbearbeitung // glass machining



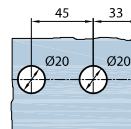
Art. No. 09197

For interior doors, left,
 for wooden frame

available in surfaces
 31 and 55



Glasbearbeitung // glass machining



For more informations and technical details, please consult our technical catalogue.

